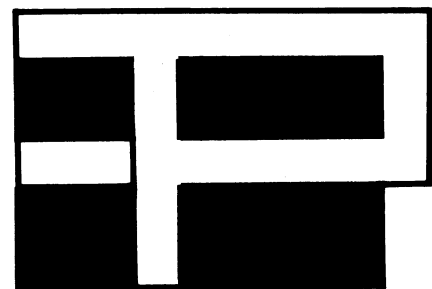


TP 3000

manual

400 - 470 MHz



TP RADIO

Technical description TP 3000 Receiver.
400 - 470 MHz.

The RF signal goes through the antenna relay, and arrives to the RF amplifier Q1, which is a low noise bipolar transistor. The necessary selectivity is achieved by the use of high Q Helical coils.

The first mixer Q2 is a single gate junction FET. The input signal 400 - 470 MHz is converted down to 21,4 MHz which is the 1st. IF. The 1st. local oscillator signal from 421,4 - 491,4 is injected into the source of the FET. The IF signal 21,4 MHz is fed through the x-talfilter giving excellent adjacent channel selectivity. From the x-talfilter the signal is fed to the 2nd. mixer through a 20 db dual gate MOS FET amplifier Q1.

The 2nd mixer is an integrated balanced type with built in local oscillator. The local oscillator is controlled by an external x-tal with nom. frequency 20.945 MHz.

The 2nd IF signal of 455 KHz is fed through a tuned circuit L3 to the detector IC3, the coil L4 is the detector coil in the quadrature detector circuit. The AF signal is supplied to the amplifier and squelch circuit by an emitter follower Q2.

The AF signal goes through the electronic attenuator consisting of the diodes D1 and D2 (TP139). When a DC-voltage is applied to the diodes, the diode current will more or less short circuit the AF-signal. The applied DC-voltage is the volume control.

The volume control circuit is followed by an amplifier Q1 (TP 139) which compensates for the loss in signal from the following deemphasis R8, C12. The AF signal is then led to the integrated audio power amplifier IC1 (TP 139).which delivers approx. 3-4 watt output power into the 4 ohm loudspeaker. The squelch circuit consists of an 7-8 KHz tuned amplifier Q7 followed by the noise detector D4 and D5. D6 is on when the base is negativ from the rectified noise. This results in an attenuation of the audio signal by means of Q2 and Q3.

The muting level is controlled by a DC voltage from the control box. The transistor Q4 is used to drive the occupied indicator when squelch is open or a carrier present.

Blocking of the AF amplifier is accomplished through the diodes D7, D10, and D11.

Technical Description TP 3000 Transmitter.
400 - 470 MHz.

From the Tx buffer, Q6 (TP 132) the VCO signal is led to the ballanced mixer Q3 and Q4 (TP 138). The VCO signal is always differing 21,4 MHz. from the Receiver frequency , therefore, in order to get the transmitter frequency, a mixer is necessary.

The local oscillator is a combined crystal osc/doubler. For simplex operation the crystal therefore has to be 10,7 MHz. The transmitter amplifier consists of Q5, Q6, Q7, and Q8. (TP 138), and again in order to achieve sufficient suppression of unwanted sidebands, the use of high Q helicoils is necessary. The output power for the power amplifier is approx. 200 mV out of Q8.

The power amplifier consists of the stages Q1, Q2, and Q3, and a power sensing and regulation circuit IC 1, and Q5. From the power sensing circuit a DC voltage proportional to the forward output power, is led to the regulation amplifier and compared to a reference voltage from IC 2. If the voltage from the sensing circuit is greater than this reference voltage, the regulation transistor Q5 will reduce the supply voltage to the driver Q1 and thereby the output power.

The output power is adjustable with the potentiometer R10. Note that the last 2 transistors in the power amplifier, are supplied independent of the key. The Tx indicator is controllled by the presense of high frequency power. The power amplifier is followed by antenna filter which suppresses the harmoinics from the transmitter.

The diode D3, C46, and R13 forms a switch, which short circuit the receiver input, when the transmitter is keyed.

Modulation amplifier and limiter.

The modulation amplifier consists of Q11, IC1, and IC2. Q11 is the preamp-
lifier giving a sensitivity of max 1 mV, in ca. 600 ohm. It is followed by
the preemphasis condenser C43, and the sensitivity potentiometer R38.
IC1 acts as amplifier and clipper, and is followed by IC2, a 3 KHz active
low pass filter. The potentiometer, R54 adjusts the max. deviation. When the
tone input is used, the microphone amplifier Q11 is blocked via D7.

Power supply and controls.

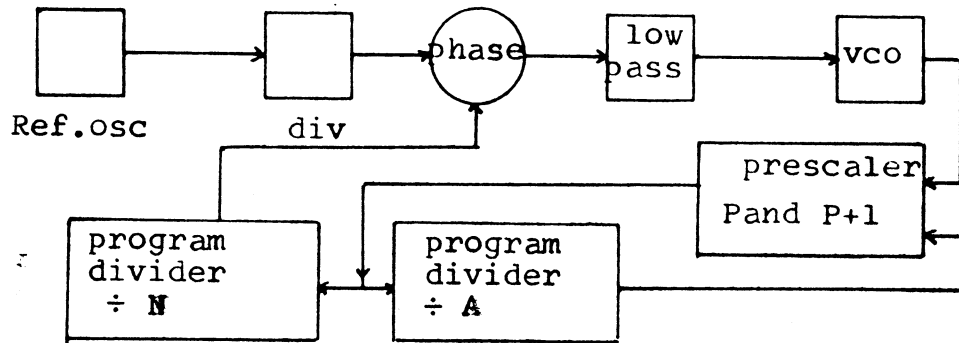
The supply voltage for most internal circuits, is 9 volt stabilized by means
of IC2 (TP 139). Q8 is the series pass element.

The unit is started by activating the relay A.

Once activated, relay A hold itself as long as voltage is supplied to the
set.

The transistors Q9 and Q10 act as 9 volt key switch.

The synthesizer logic in the TP 3000 is based upon the dual modulus prescaling. The principle is shown in the blok diagram.



The operation is as follows:

First the prescaler divides by P+1, A times. Every time a P+1 pulse enters the prescaler, both the ÷A counter and the ÷ N counter are decremented by 1.

This continues until the ÷ A counter reaches zero.

At the end of (P+1) A pulses, the state of the ÷ N counter is equal to (N-A).

Then the modulus of the prescaler is changed to P by the ÷ A counter. The dual modulus prescaler continues to divide by P until the remaining count (N-A) in the ÷ N counter is decremented to zero.

When this is completed, both counters are resetted and ready to start a new cycle.

The dual modulus prescaler in TP 3000

The prescaler is set to 50/51 in the divider ratio and an extra divider of ÷ 2 is incorporated in order to get the input frequency for the dual modulus below 250 MHz, which is max. input frequency.

The output frequency from the prescaler is between 5=4 MHz.

The PLL. synthesizer (TP 132).

From the prescaler IC 1, the LSI synthesizer IC 3 receives the input frequency. IC 3 is a complete synthesizer with a 10 bit N-counter and a 6 bit A-counter, a x-tal oscillator with divider for setting of the reference frequency, And a phase-frequency detector, eith lock detection.

The reference frequency is 12,5 KHz, which is set by 3 input bits.
The reference oscillator frequency is 6,4 MHz at 25 KHz channel spacing.
The system frequency is adjustable with C 60.
The reference oscillator is temperature compensated, and in cold environments the x-tal is heated up by means of the circuit Q10, R39, and R40.

The ÷ N counter is used to set a certain frequency band, and the ÷ A counter to set the channel inside this frequency band.

The phase and frequency detector compares the reference signal and the down divided vco signal, in frequency and phase, and delivers an output to the low pass filter IC4/1 according to errors in phase and frequency.
IC 4/2 is another low pass filter which removes the 12,5 KHz ripple.
The remaining DC-errorvoltage is led to the vco frequency control D2.

The voltage control oscillator (TP132) consists of Q4, a single gate junction FET, L8 a coaxial coil, and the necessary capacitors, C21, C22, and C 31.
The trimmer condenser C31, adjusts the vco from 400-500 MHz.
The frequency is controlled by the varicap D2.
The varicap D4, is for the modulation.
The output from the vco is led through the main buffer Q5, to the Rx-buffer, Tx-buffer and the synthesizer buffers, Q7, Q6, Q8, and Q9, respectively.

Calculating the band code and channel code.

We have the total division ratio

Fr_x= Receiver frequency.

21,4 MHz= 1st. IF.

0,025 MHz= Channel spacing.

$$N_t = \frac{Fr_x + 21,4}{0,025} \quad \underline{1}$$

Furthermore we have that

$$N_t = N \times P + A \quad \underline{2}$$

N: is the number to be programmed into the ÷ N counter, in order to decide the frequency area. N must be an integer.

P: is an integer from the prescaler modulus, here P=50.

A: is the number to be programmed into the ÷ A counter in order to decide the wanted channel. A is an integer 0 A 113.

An example : A

We want to find the frequency area code and the channel code, for the receiver frequency : FR_x = 468,125 MHz.

Step 1. Calculate the total division ratio NT according to 1

$$N_t = \frac{468,125 \text{ MHz} + 21,4 \text{ MHz}}{0,025} = 19581$$

step 2. Use formula 2 to find N and A

we have NT = N x P + A

$$\frac{A + N \times P}{P} = \frac{NT}{P}$$

NT = 19581

P = 50

We have: A + N = $\frac{19581}{50} = 391,62$ select N to be the highest integer, that is N = 391.

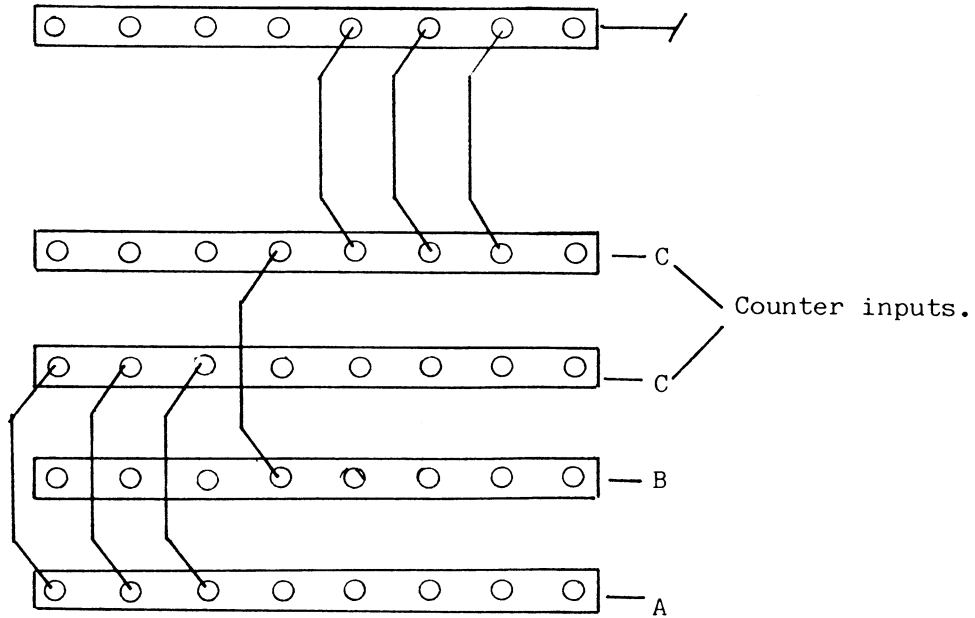
The rest NT - (391 x 50) = 19581 - 19550 = 31 = A

We have the division ratio for the ÷ N counter = 391

and for the ÷ A counter = 31.

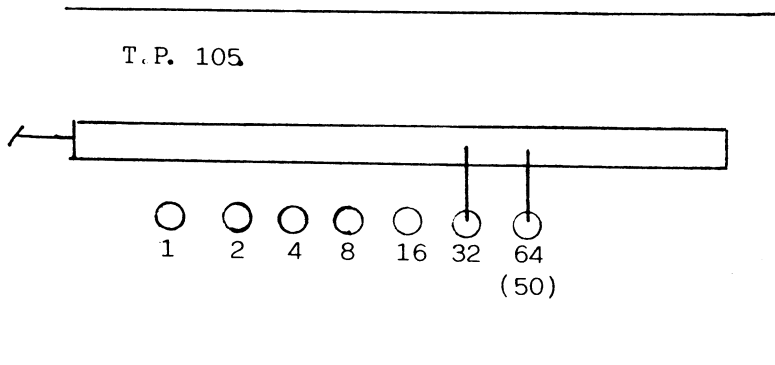
From example A we have that $N = 391$ and $A = 31$ these numbers are coded as follows:

1. Enter the programming table and find the number 391.
2. Check that the frequency area is ok.
3. Connect the input of the N divider according to the table.
The code for $N = 391$ is read A A A B 0 0 0 Free.
and is coded as shown.



Bit nr. 1 2 3 4 8 16 32 64 128

4. The channel A = 31 is coded on ex. TP 105.



In some cases f.ex. in multichannel sets, the channel code A is greater than 64. In these cases, it must be noted, that the last bit in the channel code is calculated 50 and not 64.

So in order to avoid confusion, every time the calculated channel code is 64 add 14 to the number.

The reason for this lies in the $\div A$ divider, which only contains 6-bit, so in order to become sufficient channel coverage. The 7th. bit is borrowed from, the $\div N$ divider in which the first bit accounts for 50.

Example:

2 channels must be programmed into the channel prom.

Channel 1. Rx = 453,000 MHz.

Channel 2. Rx = 454,000 MHz.

We have $N_T = \frac{453 + 21,4}{0,025} = 18976$ channel 1.

further $A + N = \frac{18976}{50} = 379,52$

$$N = 379$$

$$A = 18976 - (379 \times 50) = 26$$

for channel 2. $N_T = \frac{454,000 + 21,4}{0,025} = 19016$

but N was = 379.

which gives $A = 19016 - (379 \times 50) = 66$

In channel 2. A 64, so we have to add 14, which makes the channel code for channel 2 = 80.

Tuning Instructions TP 3000
400-470 MHz.

PLL Synthesizer (print board TP 132)

The first is to code the set to the wanted channel. This is done according to the instructions contained in the technical description of the synthesizer circuit. Check the channel code and if the set contains more than one channel, select one in the middle of the band.

Check the reference frequency code.

Connect a high input impedance DC-voltmeter to MP 3 and turn the trimmercondenser C31 until a voltage movement is obtained. Then adjust C31 to a reading of approx 4 volts.

Connect a high frequency counter to the Tx output buffer, and adjust the vco frequency to $FRx + 21,4$ MHz by means of C60.

Check the lock range by turning C31 and read the value on MP3. The trimmer C31 should be turned approx one full turn before the loop goes out of lock. The voltage on MP3 varies correspondingly between 0,3 - 8 volts DC.

In multichannel sets, select the lowest and highest channel and check that the loop still goes into lock.

The sensitivity of the vco is approx 1 MHz/volt.

Tuning Instruction TP 3000 Receiver

400-470 MHz.

21,4 MHz and 455 KHz IF.

Connect a 21,4 MHz sweep generator to the gate of Q2 on print board TP 132, and the DC-probe to MP 1 (TP 135).

Adjust L7 (TP 132) and L1 (TP 135) to minimum ripple.

L2 and L3 (TP 135) to max. amplitude and best possible symmetry.

The input level from the sweep generator must be kept below the limiting level of the second mixer. Connect the ac-probe to the discriminator output pin, and adjust L4 to max. slope and best linearity.

RF-amplifier and mixer

Connect a DC-voltmeter to MP1 and adjust L5 and L6 to max. deflection approx 0,8 volt DC.

Connect a signal generator to the receiver input, and adjust L1, L2, L3 and L4 to max. sensitivity, which should be ca. 0,6 μ V. e.m.f. at 20db.SINAD.

AF-amplifier and squelch (T) 139).

Connect the signal generator to the receiver input, adjust the attenuator to 1mV. and the deviation to ± 3 KHz at 1000 Hz. Connect an AF-millivoltmeter to the "disc. out" and read. ca-120 mV. R.M.S.

Connect a 4 ohm 5w resistor to the loudspeaker output and an AC-volt across the resistor. Adjust the volume control to the last but one step and read ca. 3 VAC.

Removed the signal generator and adjust the squelch 3 step up. Adjust the potentiometer R26 (TP 139) so that the squelch opens.

Check that the closing level is 2 step below.

Tuning Instructions TP 3000
400 - 470 MHz.

Transmitter mixer and amplifier (TP 138)

First the condensers Cx 1 and Cx 2 are mounted according to the table in the drawing no.

Connect a DC-voltmeter to MP 1 and adjust L1 and L2 to max. deflection ca. 0,4 v.

Connect the DC-voltmeter to MP2 and adjust C10 to max. ca. 0,5 v DC.

Move the probe to MP 3 and tune L3 and L4 to max. 1,2 V.

Tune L5 and L6 to max. 4,2 V on MP 4.

Now connect a wattmeter to the output of the amplifier and tune L7, L8, C32 and C34 to max. output power, approx 200 mW into 50 ohm.

Note that the condensers Cx 1 and Cx 2 accoros coil L1 and L2 must be changed

Transmitter Power stage (TP 140)

Connect a wattmeter (50 ohm, 25 w) to the transmitter output.

Set the supply voltage to 12,0 volt.

Turn the potentiometer R 10 counter-clockwise to get the output power stabilization out of function.

Key the transmitter and adjust C2, C11, C20, C32, and C33 to max. output power.

In crease the supply voltage to 13,2 V and turn.

The potentiometer R 10 clockwise until the desired output power is reached.

0012

Tuning Instructions TP 3000
400 - 470 MHz.

Transmitter frequency

Connect a frequency counter to the attenuated wattmeter output and adjust the transmitter frequency with the capacitor C 7 on TP 138.

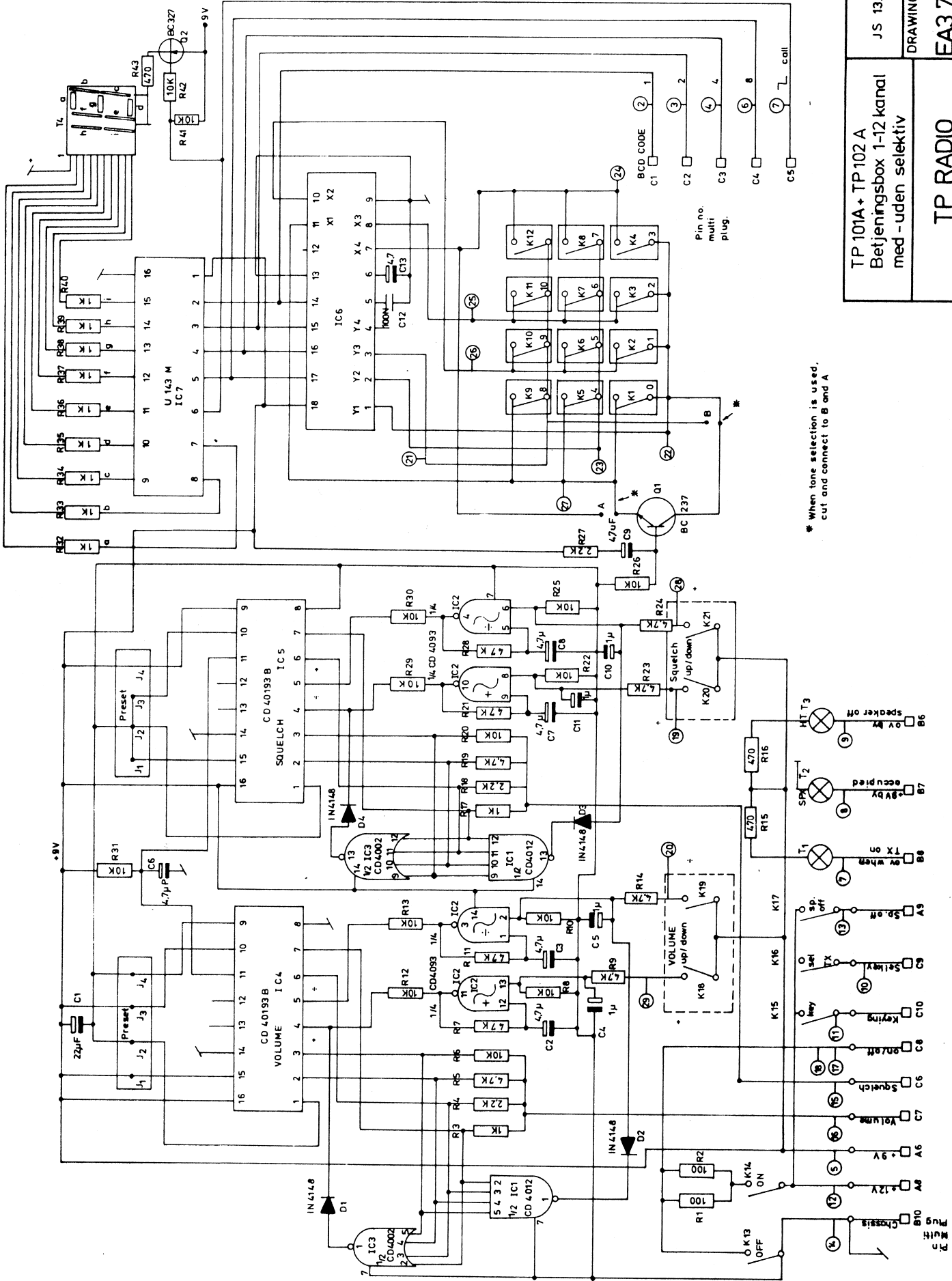
Modulation amplifier (TP 138)

Connect a modulationmeter to the attenuated wattmeter output and a tone-generator to the microphone input.

Turn the potentiometer R38 and R 54 to center position and set the tone-generator frequency to 1000 Hz. With an input level of 20 mV. adjust R54 to give max. deviation.

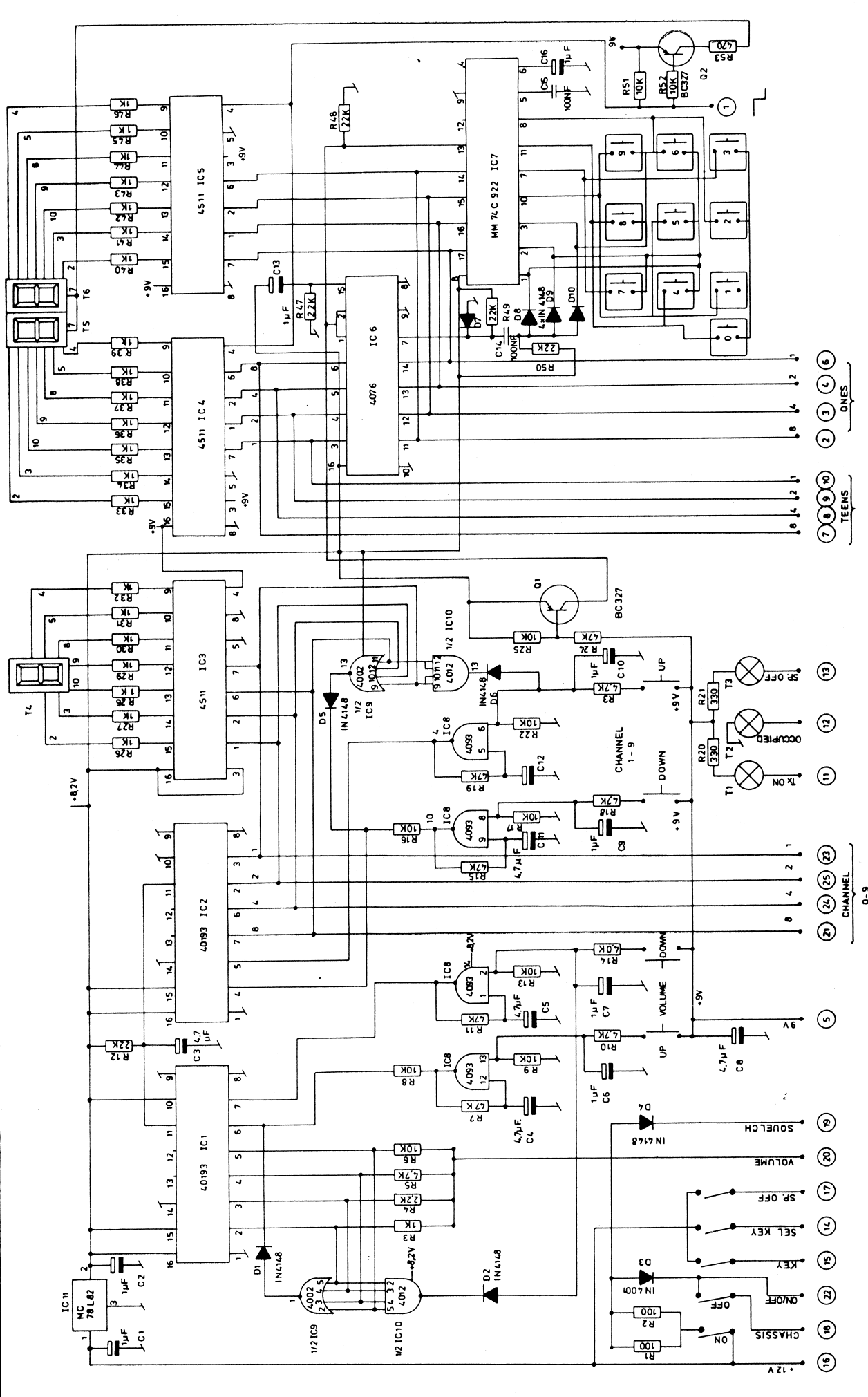
Decrease the input level 20 db (2 mV) adjust R38 to give nominal deviation (\pm 3 KHz).

Repeat the procedure and readjust if necessary with an input level of 20 mV, check the symmetry of the limited signal. The + and _ deviation should not differ more than 0,5 KHz.



* When tone selection is used, cut and connect to B and A

TP RADIO	DRAWING NO.
TP 101A + TP102 A Betjeningsbox 1-12 kanal med - uden selektiv	JS 13.08.79
EА3 790310	



MOBIL CONTROL BOX BB3
 PRINT BOARD
 TP 136 TP 137

TP RADIO

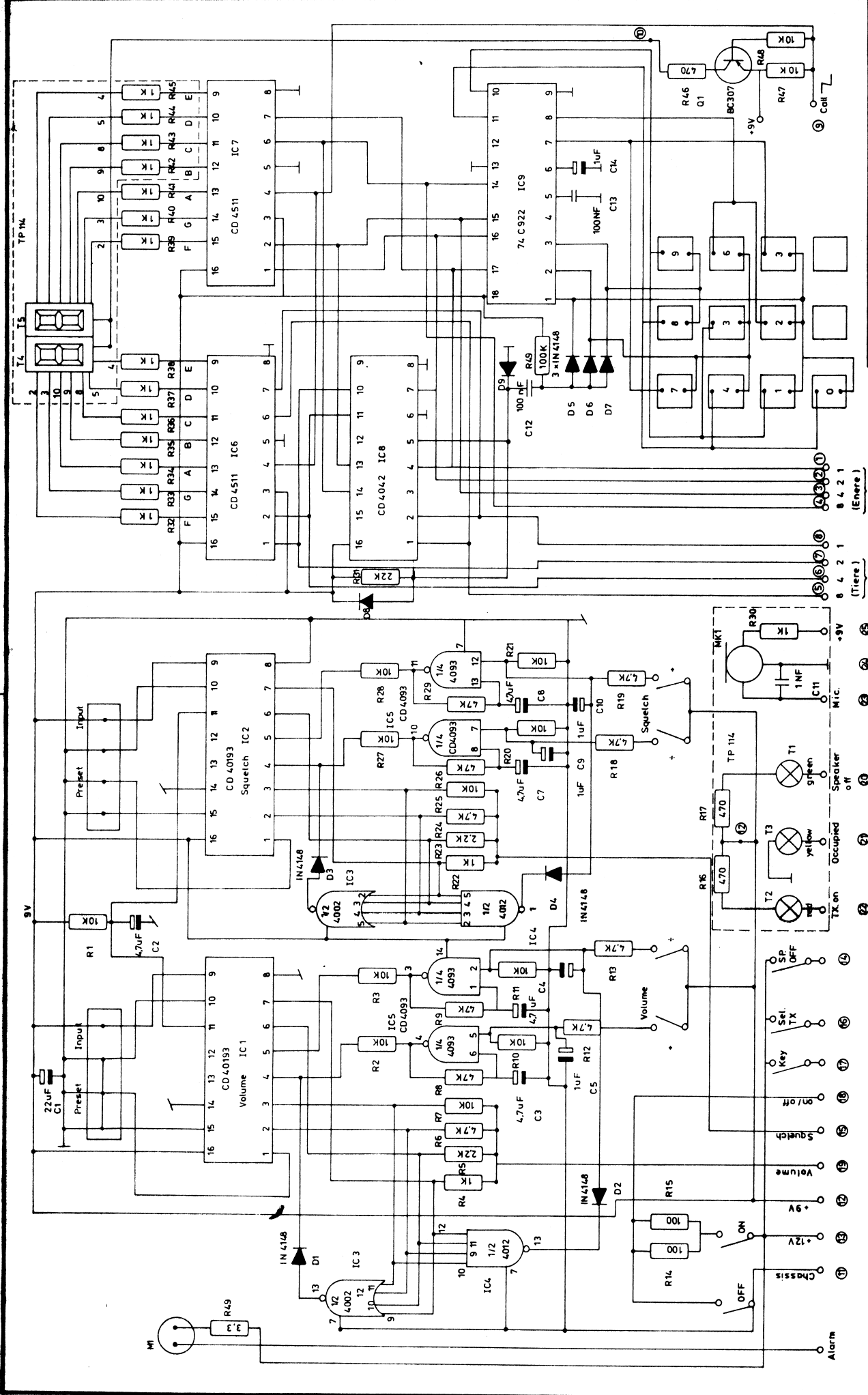
TP 06.12.82

DRAWING NO. EA3-821201

TEENS (7, 8, 9, 10)
 ONES (2, 3, 4, 6)

CHANNEL 0-9 (24, 25, 26, 27, 28, 29, 30, 31, 32, 33, 34, 35, 36, 37, 38, 39, 40, 41, 42, 43, 44, 45, 46, 47, 48, 49, 50, 51, 52, 53, 54, 55, 56, 57, 58, 59, 60, 61, 62, 63, 64, 65, 66, 67, 68, 69, 70, 71, 72, 73, 74, 75, 76, 77, 78, 79, 80, 81, 82, 83, 84, 85, 86, 87, 88, 89, 90, 91, 92, 93, 94, 95, 96, 97, 98, 99, 100)

16 CHASSIS
 17 ON/OFF
 18 KEY
 19 SEL KEY
 20 SP OFF
 21 VOLUME
 22 SQUELCH
 23 UP
 24 DOWN
 25 CHANNEL 1-9
 26 UP
 27 DOWN
 28 ON
 29 OFF
 30 T1
 31 T2
 32 T3
 33 T4



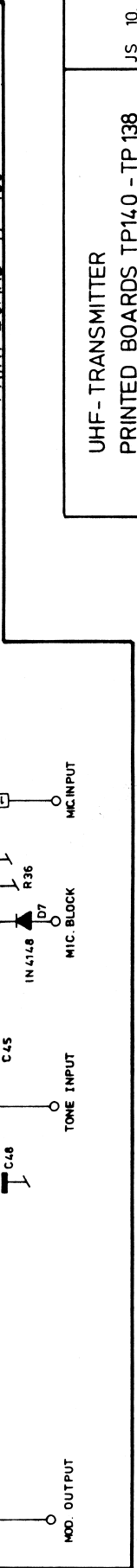
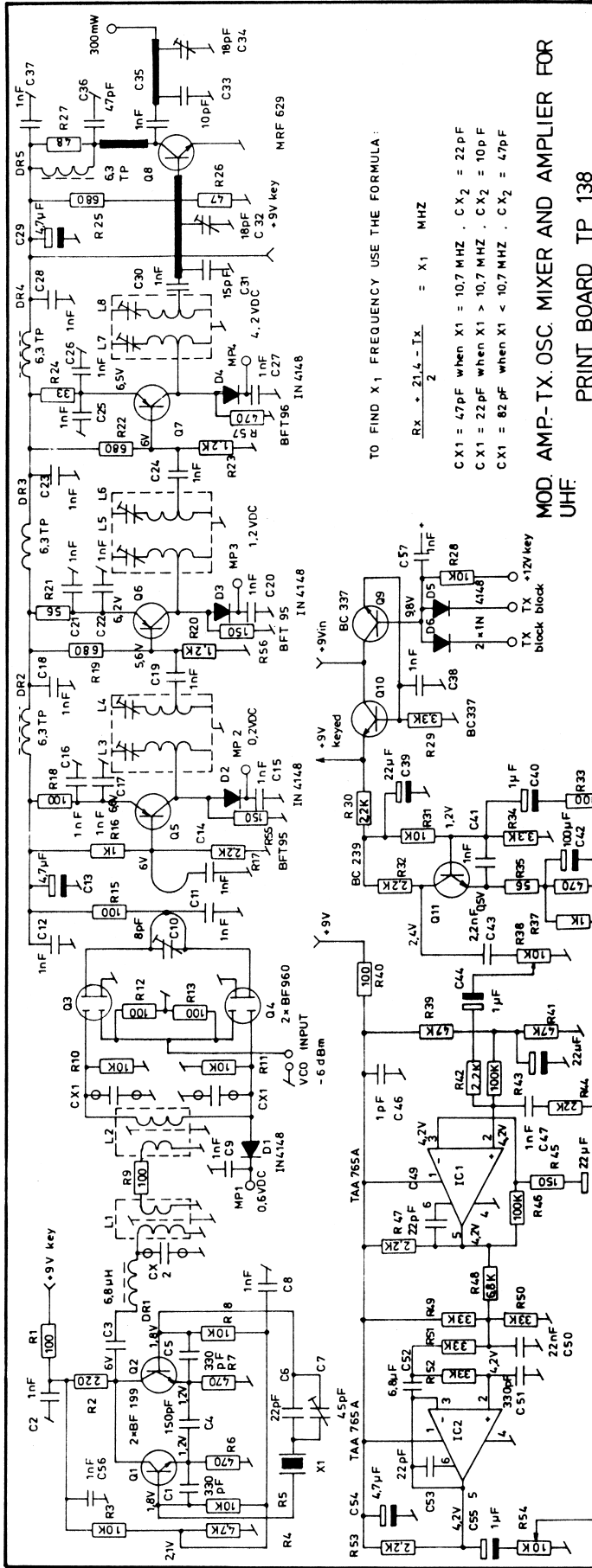
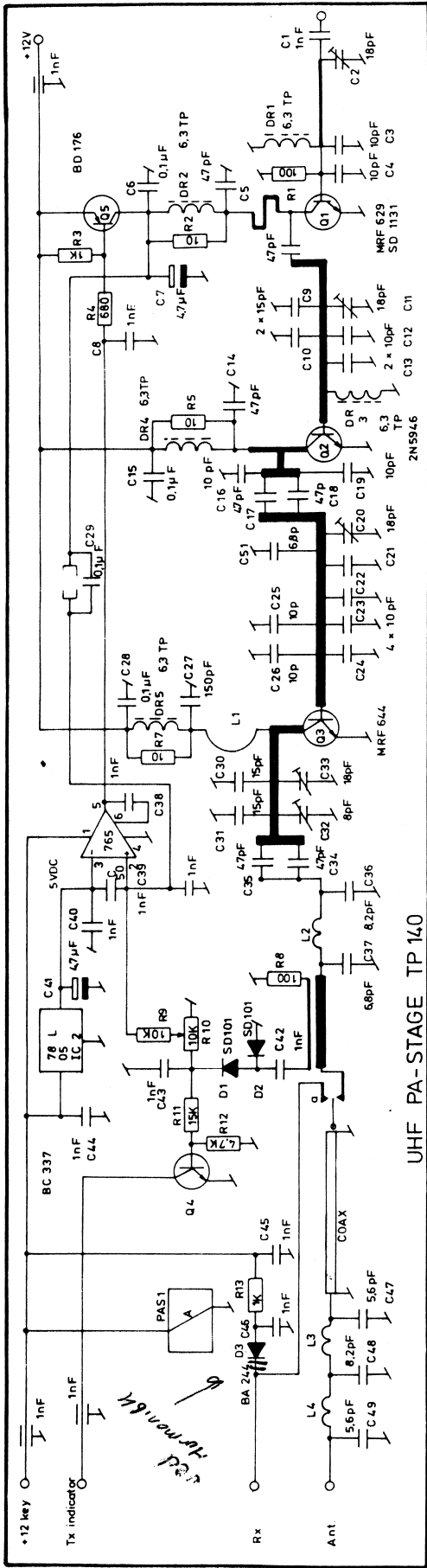
Base station control
box print board
TP 111 + TP 114

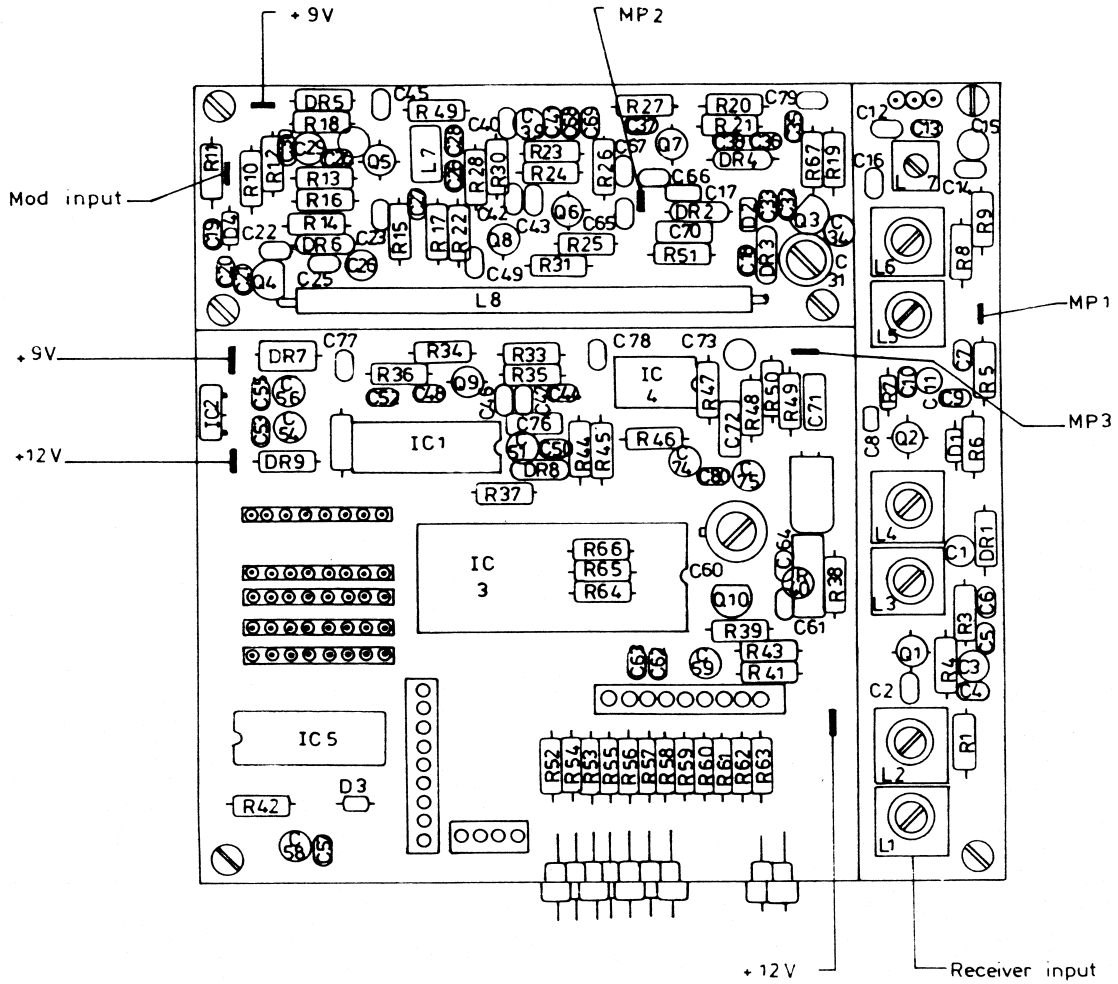
TP RADIO

TP 28.08.79
DRAWING NO.

EA3-791023







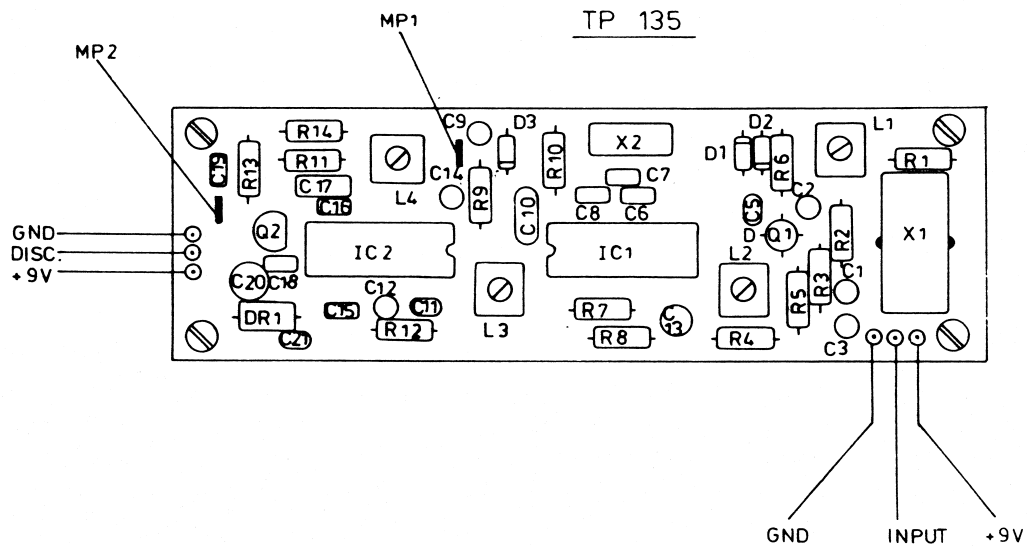
TP 132

COMPONENT LAY OUT TP 132
RF MIXER VCO AND PLL

JS 06.06.84

TP RADIO

DRAWING NO.
EA4-840805

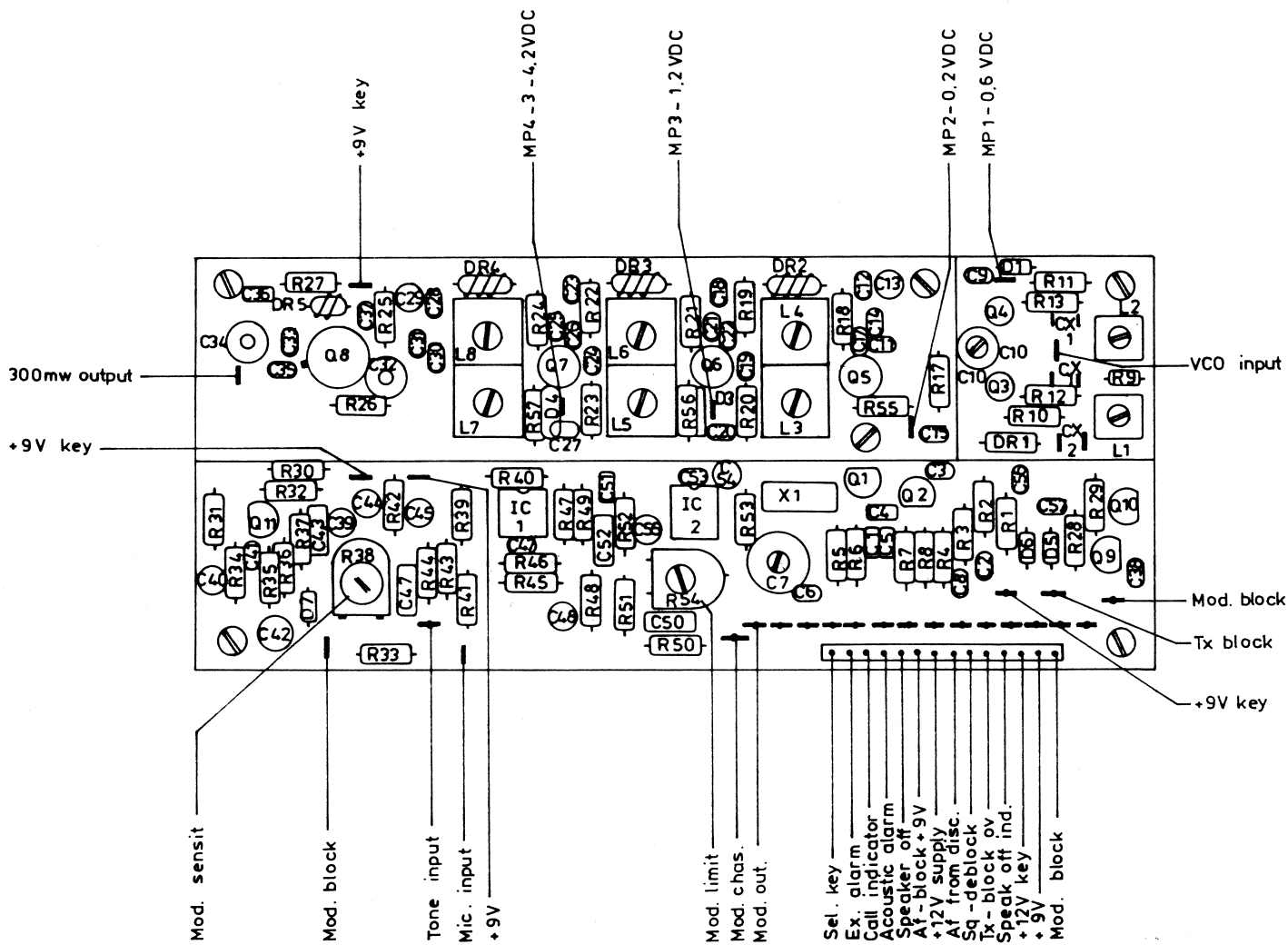


COMPONENT LAY OUT TP 135
 IF AND DISCRIMINATOR

JS 21. 05. 84

TP RADIO

DRAWING NO.
 EA4-840808



TP 138

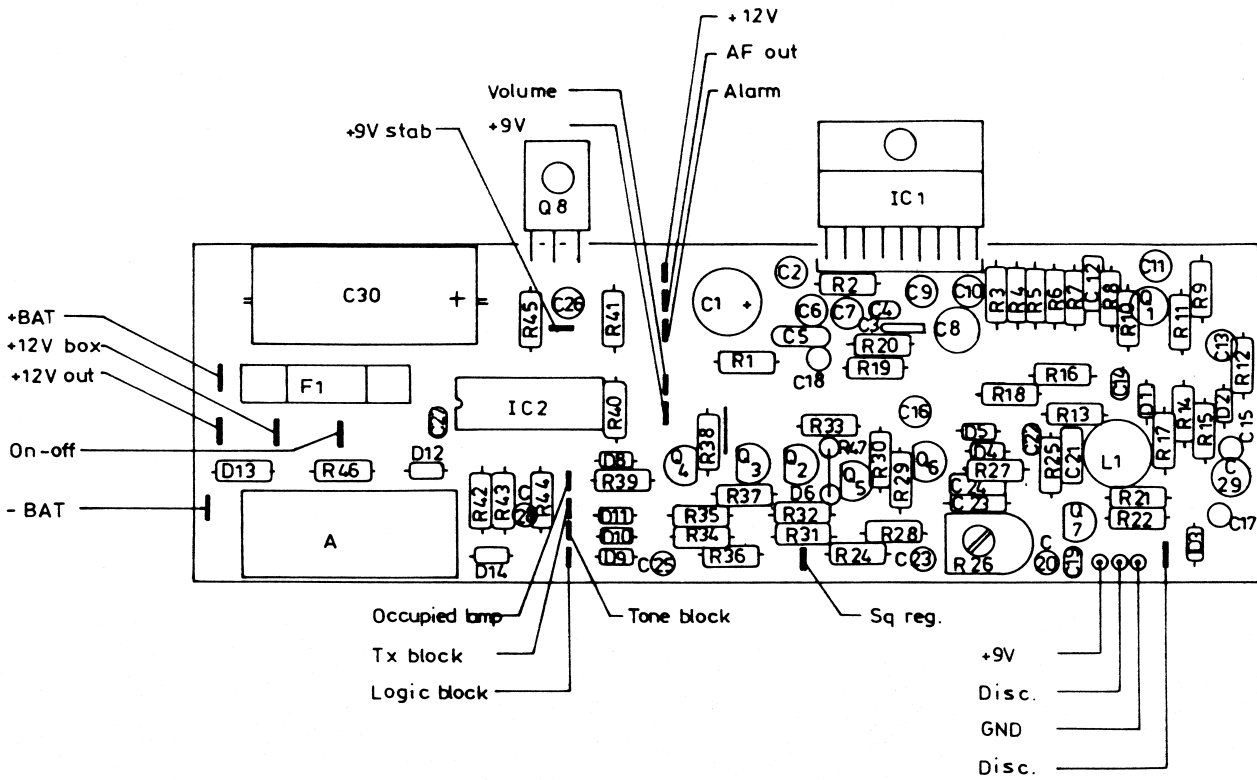
COMPONENT LAY OUT TP 138
 UHF
 MOD. AMP TX MIXER TX AMP.

JS 11.10.84

TP RADIO

DRAWING NO.

EA4 840812



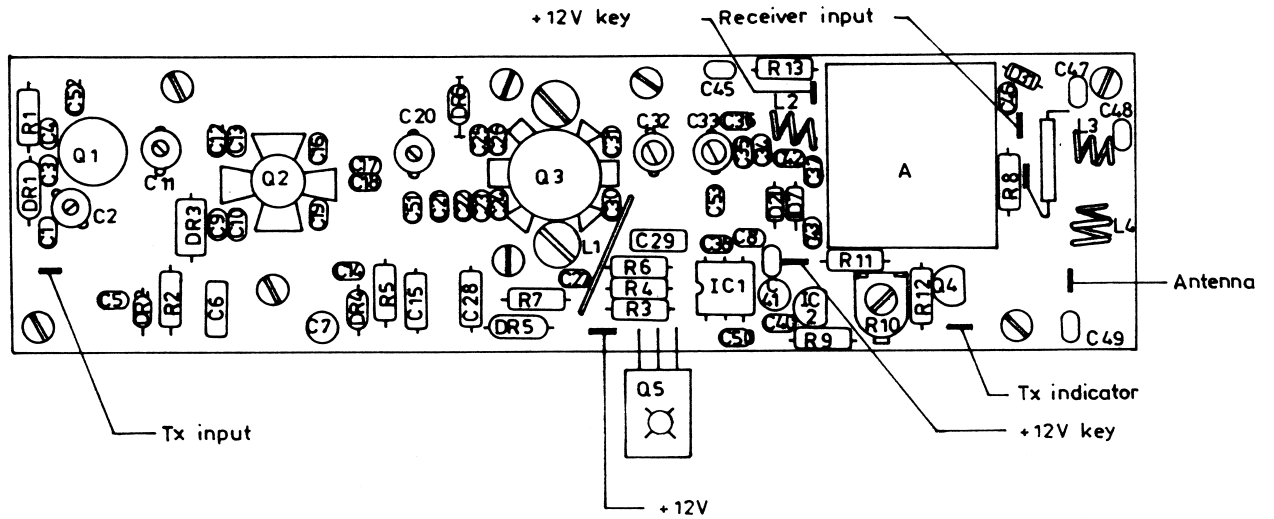
TP 139

COMPONENT LAY OUT TP 139
AF SQUELCH - STAB. POWER SUPPLY

JS 22 05. 84

TP RADIO

DRAWING NO.
EA4 840806



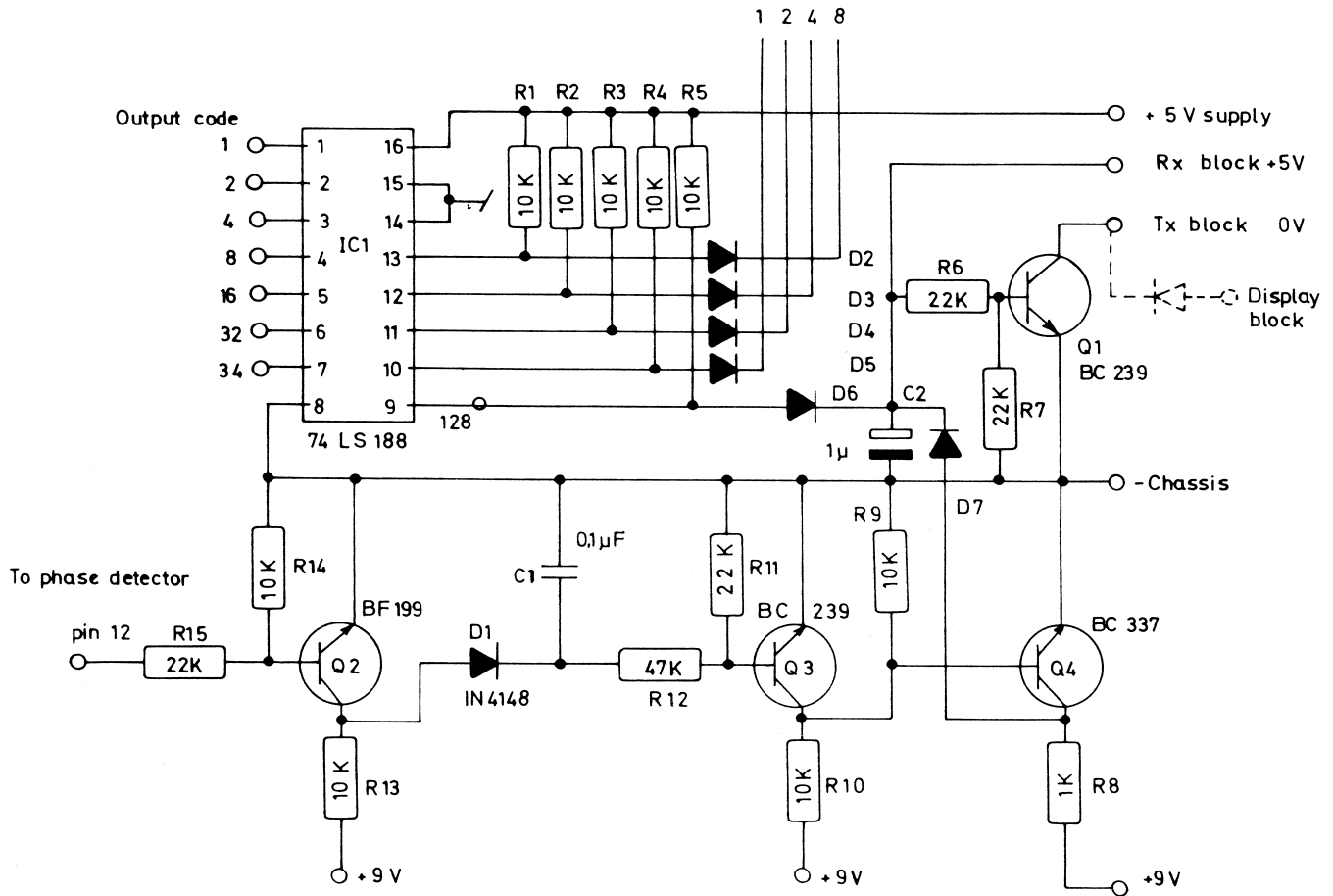
TP 140

COMPONENT LAY OUT TP 140
PA - STAGE UHF

JS 23.05 84

TP RADIO

DRAWING NO.
EA4-840807



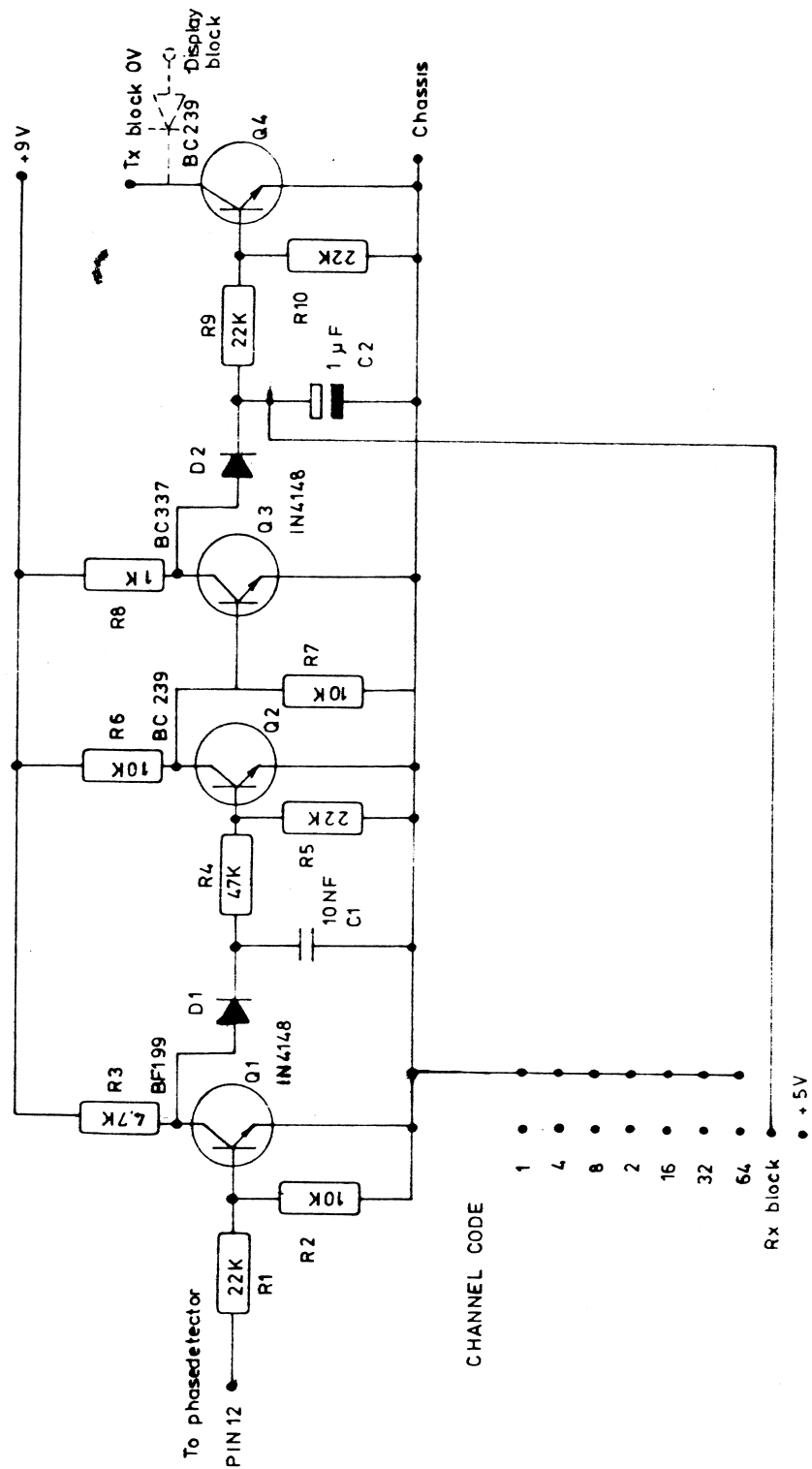
Print board TP 121
 Code plug for max. 12 channels
 with lock control circuit

13. 05. 80
 JS

TP RADIO

DRAWING NO.

EA4-800503



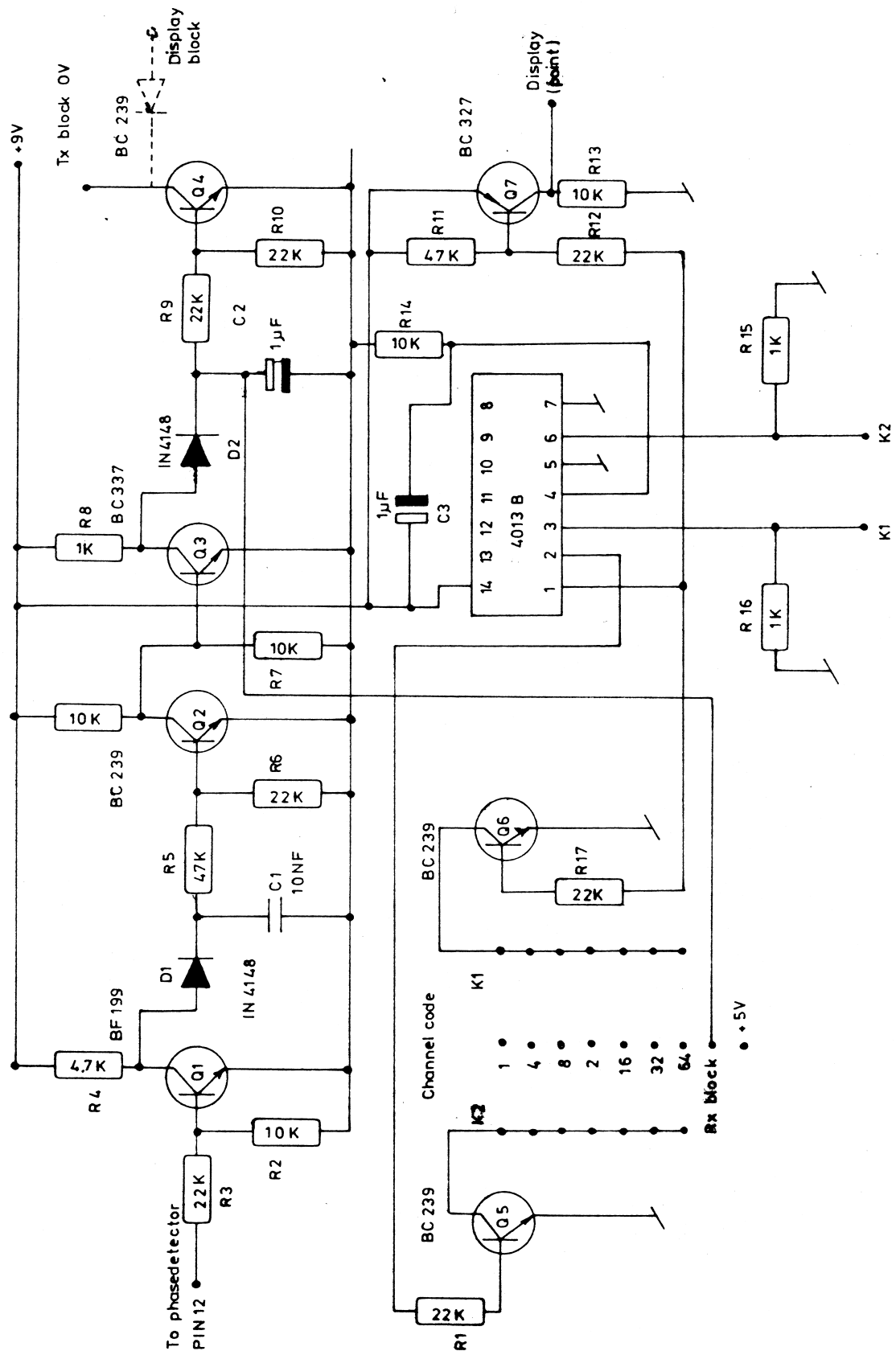
P rint board 123
 Code plug 1 channel with lock control

29.07.80
 TP

TP RADIO

DRAWING NO.

EA4-800711

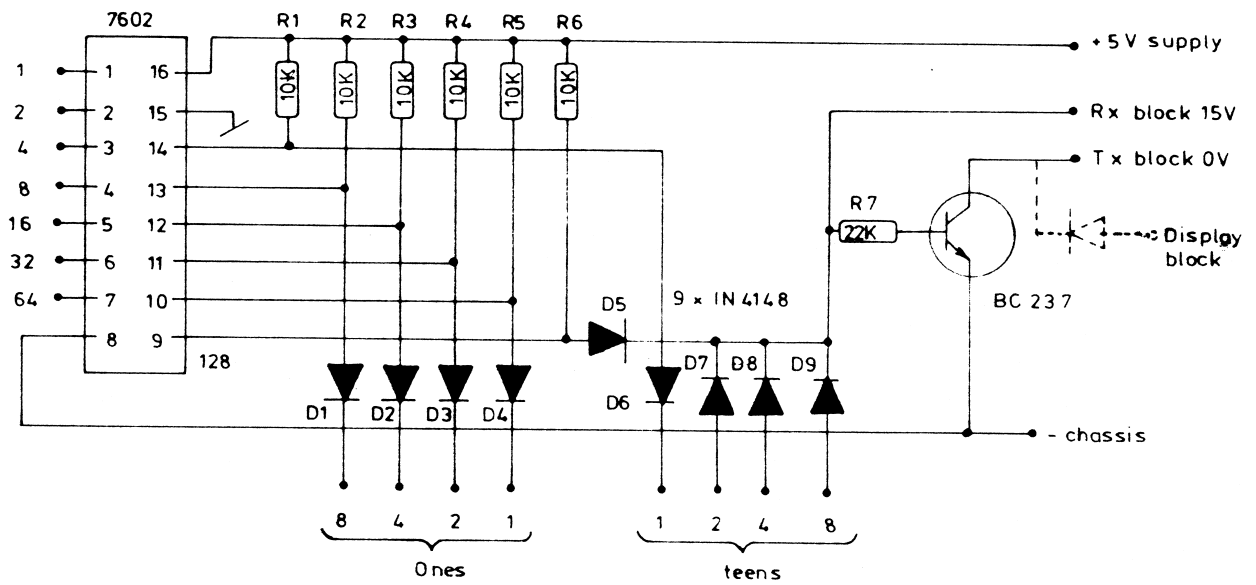


Print board TP 124
Code plug for max 2 channels
with lock control circuit

25. 08. 80 TP

TP RADIO

DRAWING NO
EA4-800815

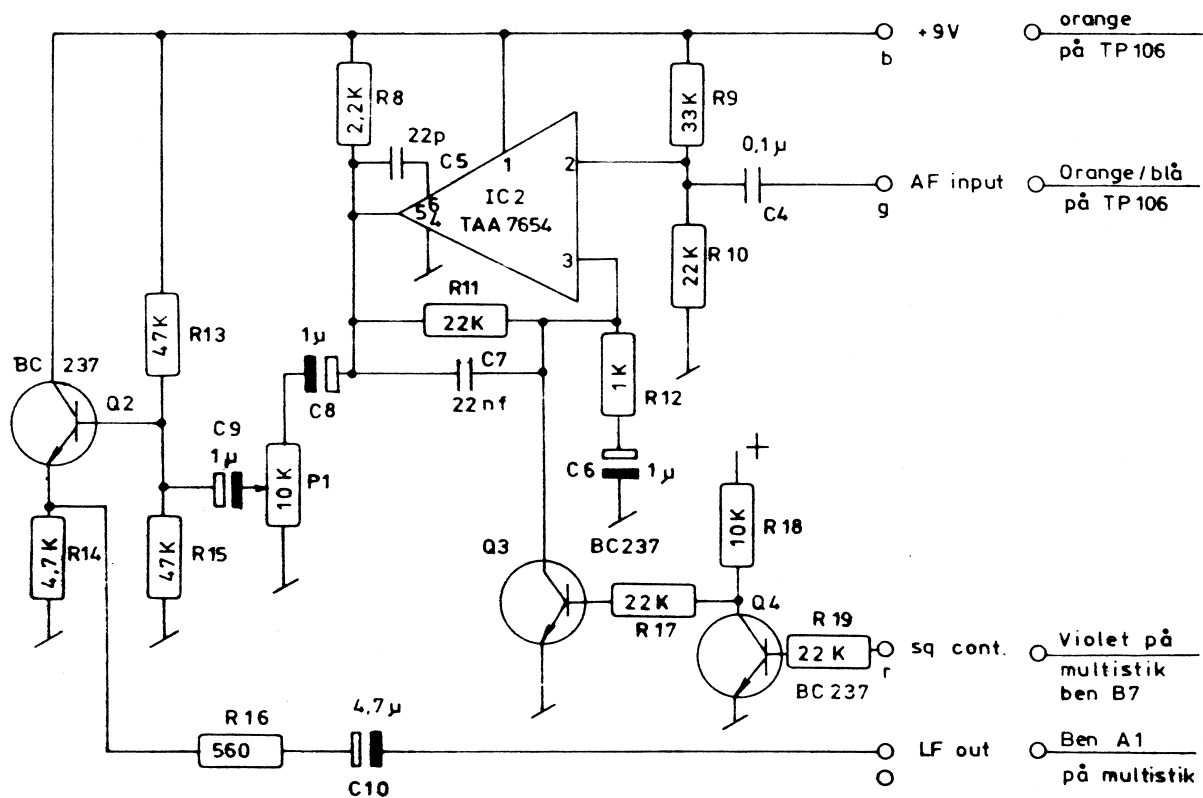
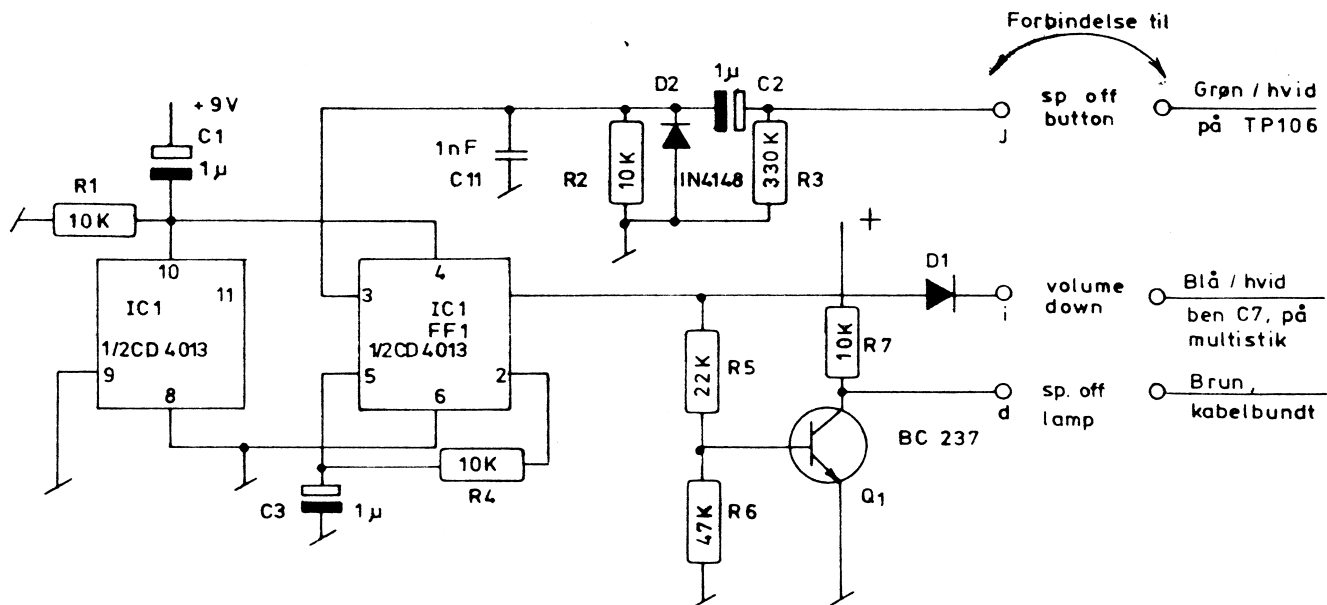


Print board
Code plug for max 19 channels

25. 08. 80 TP

TP RADIO

DRAWING NO
EA4 800814



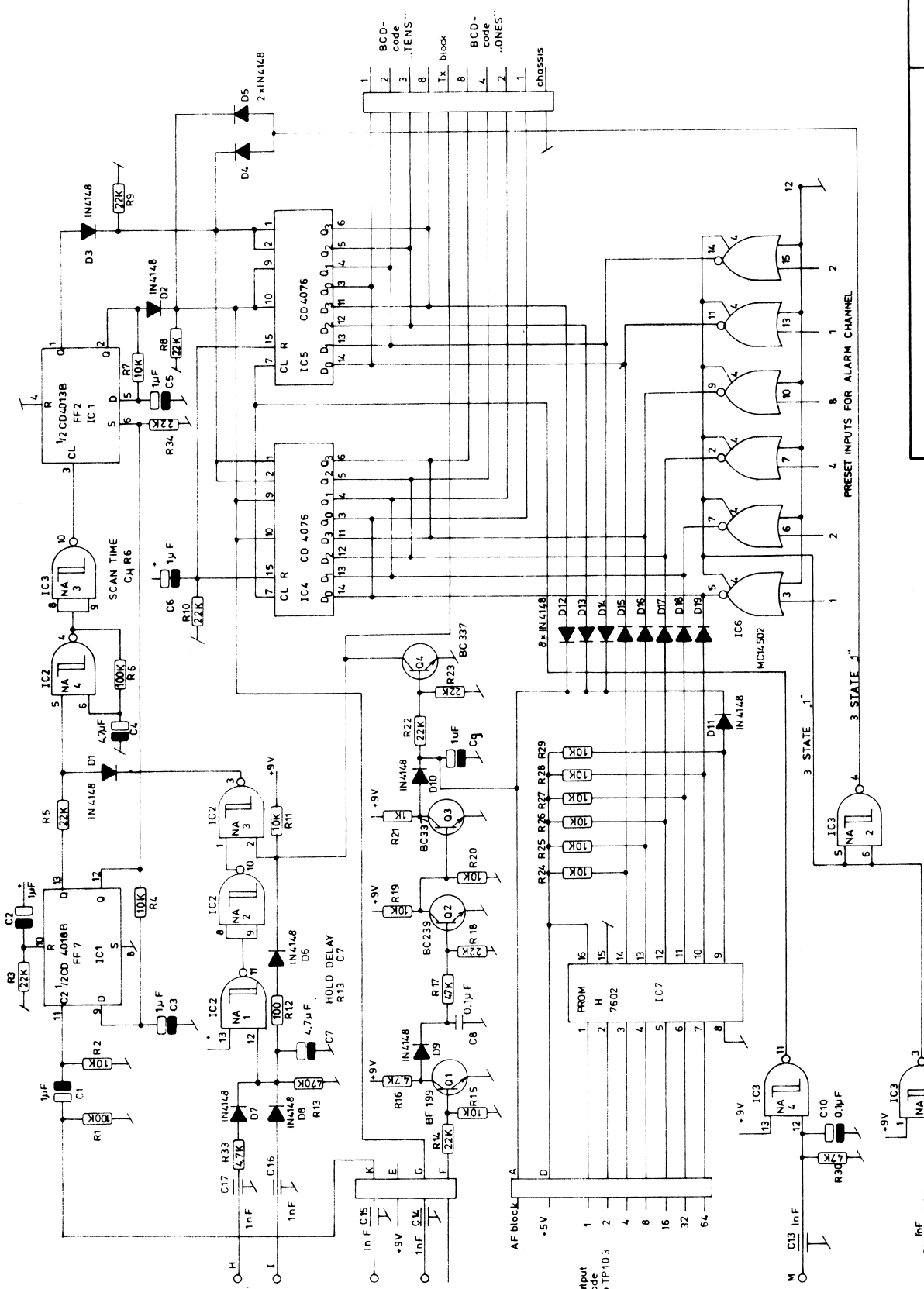
Print board TP 117

Volume down control and AF-Buffer amplifier

JS 9. 11. 79

TP-RADIO

DRAWING NO
EA4-791124

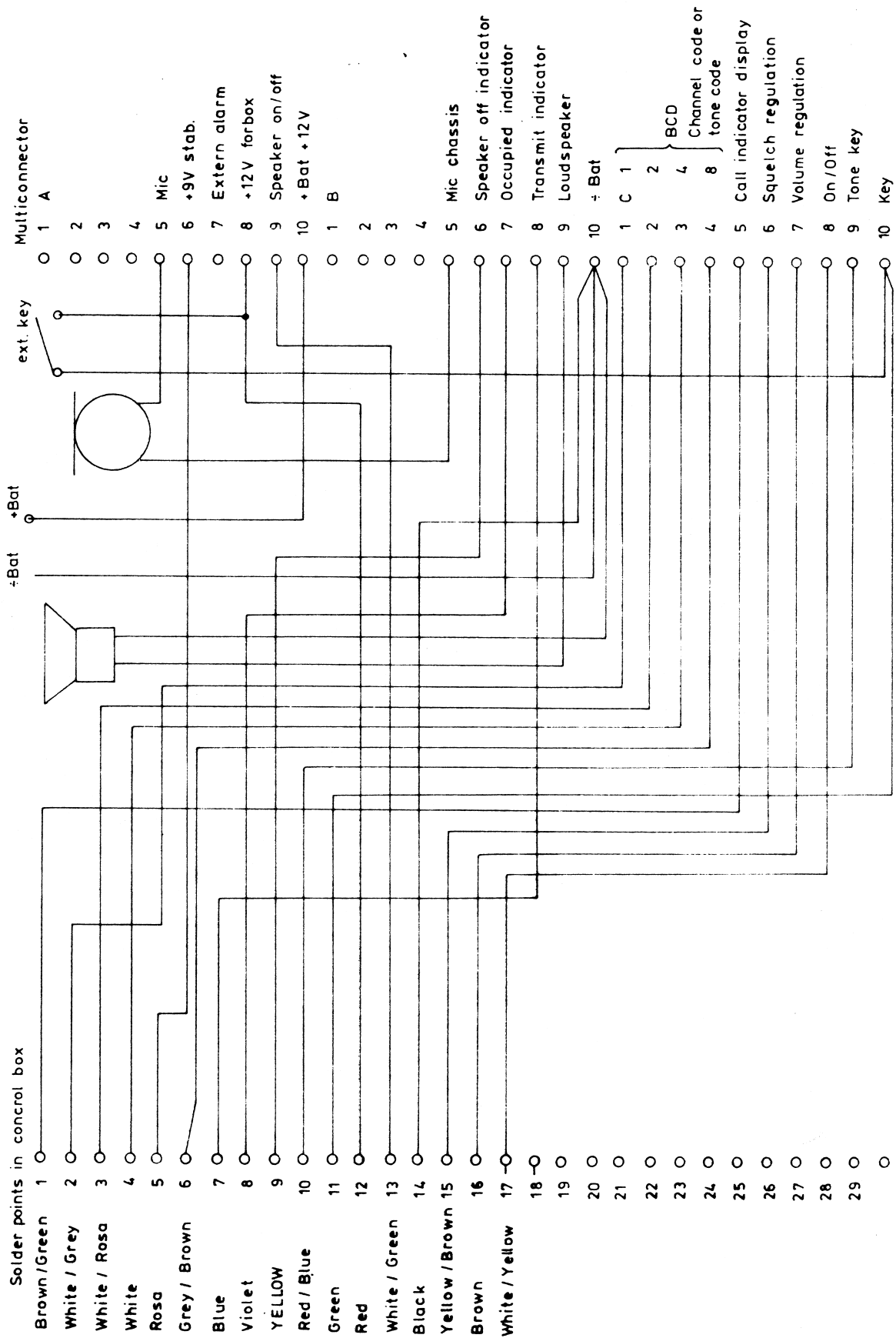


• 12V when keyed
 • when sq open
 Scan - start/stop
 3 state control
 Lock detect

STORE CONTROL BOX

ALARM TX KEY CONTROL BOX

Control logic for dual watch TP 128	JS 30.03.81
TP RADIO	DRAWING NO. EA3-810304



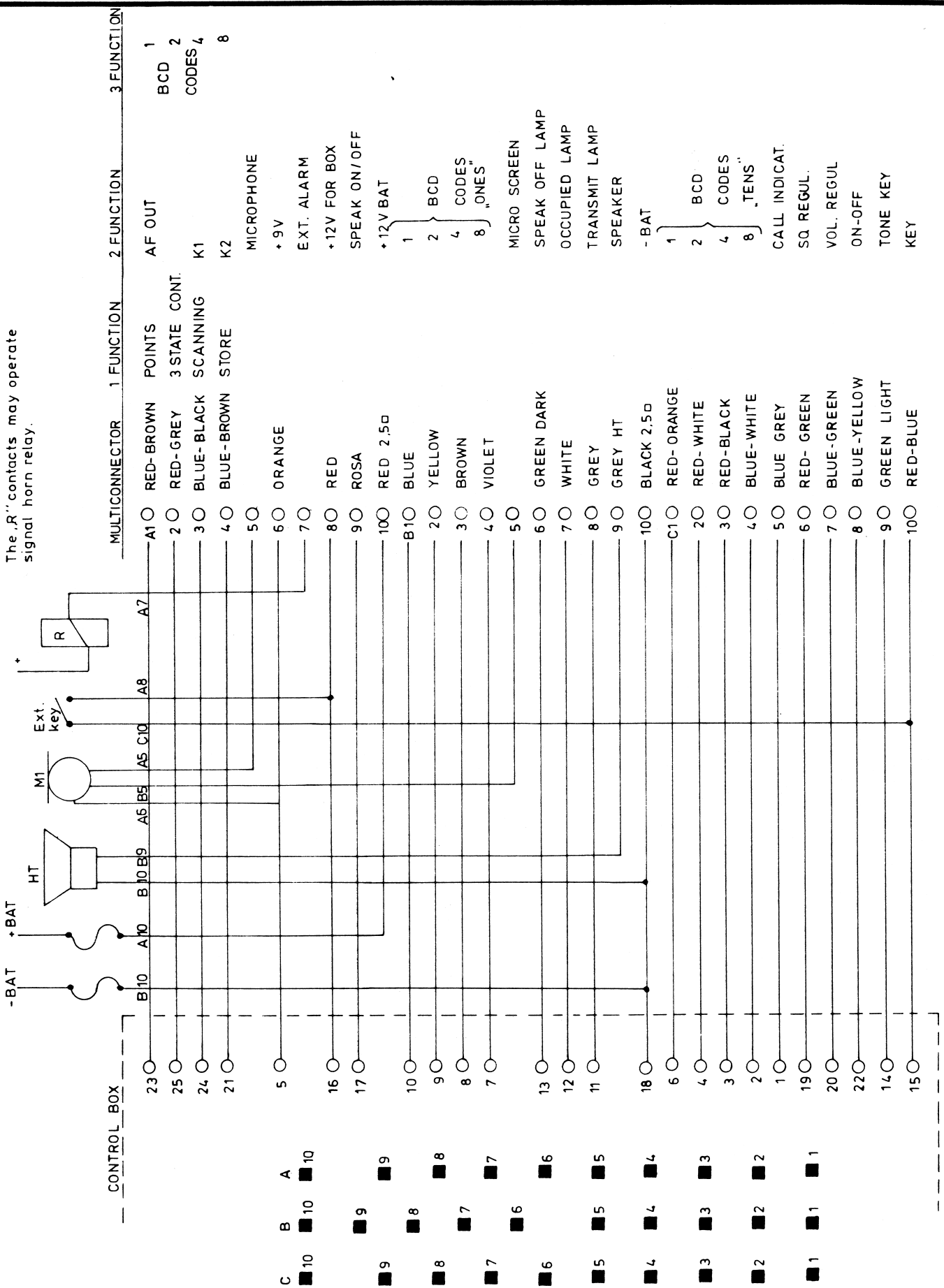
Installation of TP 3000
1-12 channels

JS 28.08.79

TP RADIO

DRAWING NO.
EA4-790304

The „R” contacts may operate signal horn relay.



Installation TP 3000
Control box BB2 + BB3

JS. 27.08.81

TP RADIO

DRAWING NO.
EA4-800710